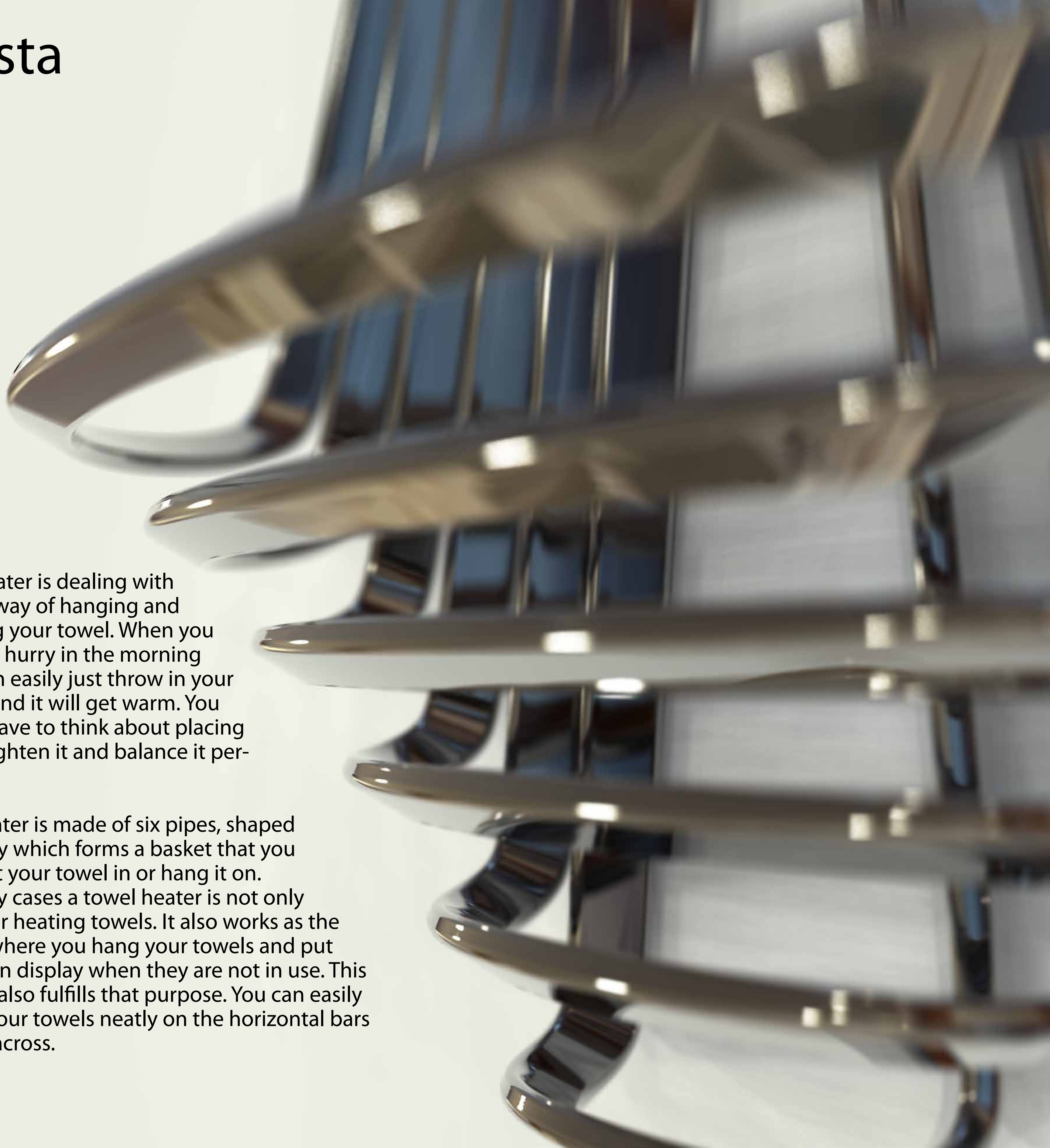


# Cesta

The heater is dealing with a new way of hanging and heating your towel. When you are in a hurry in the morning you can easily just throw in your towel and it will get warm. You don't have to think about placing it, straighten it and balance it perfectly.

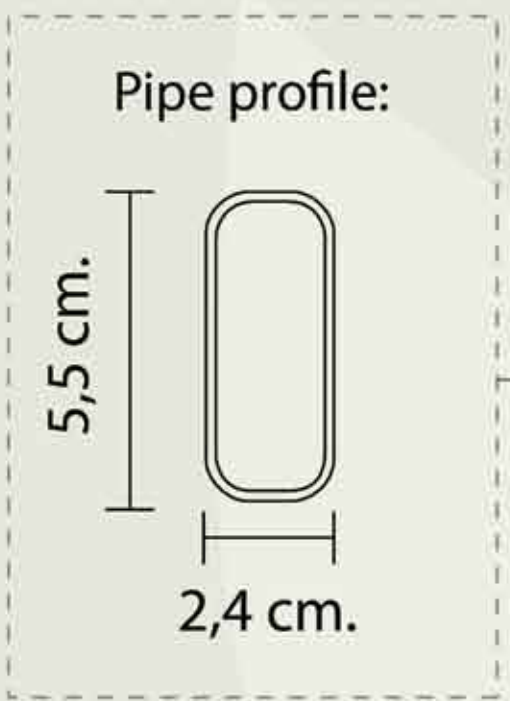
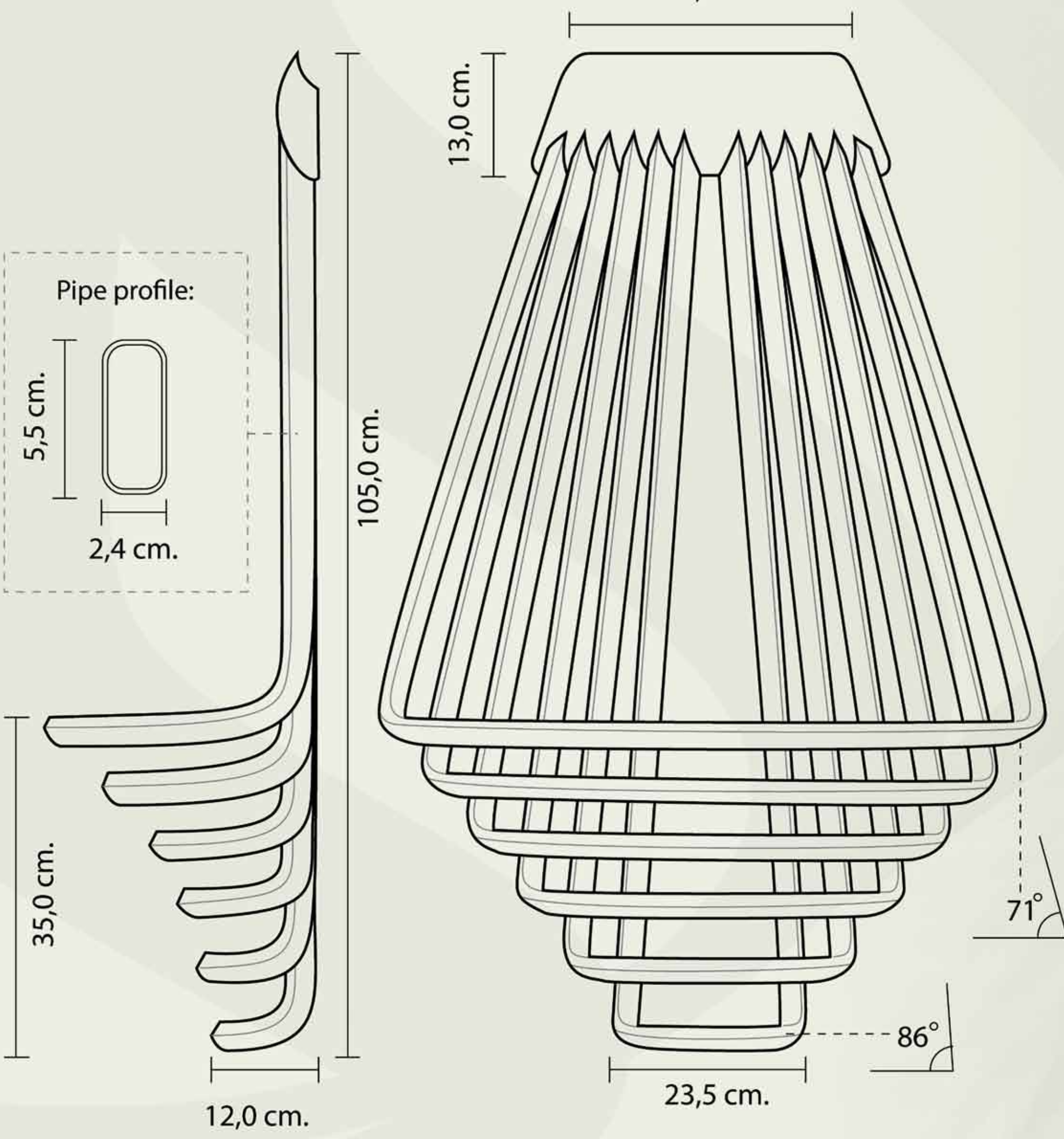
the heater is made of six pipes, shaped in a way which forms a basket that you can put your towel in or hang it on. In many cases a towel heater is not only used for heating towels. It also works as the place where you hang your towels and put them on display when they are not in use. This heater also fulfills that purpose. You can easily hang your towels neatly on the horizontal bars going across.



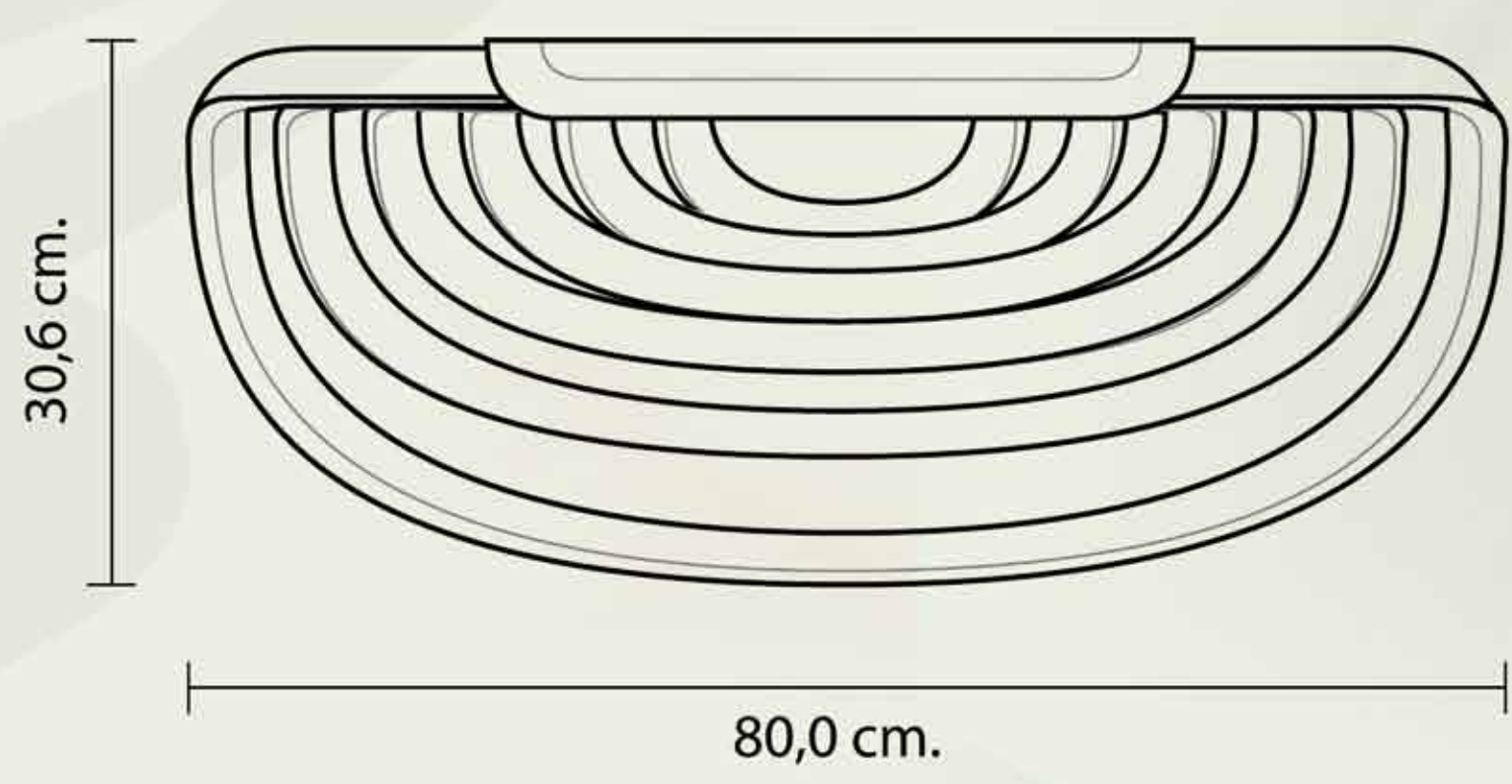
# Cesta

Side

Front  
42,8 cm.



Top



# Cesta



# Cesta



It might prove as a challenge to bend the rectangular pipe in the angles shown above. Another option is therefore to have much softer bends, using a round profiled pipe, while still having the same functionality.